

fast scanners series PXY 15 CDT

- motion in x- and y-direction 15 µm
- high resonant frequency
- high stiffness
- minimum z-motion
- free central hole 43 mm



The PXY 15 CDT elements were developed for optical scanning applications. This system is optimized for a very high resonant frequency and an excellent high stiffness in all axes. This stage was designed especially for mounting optical lenses. The internal pre-load and the design without mechanical transmission make this actuator well suited for high frequency applications up to the kilohertz range.

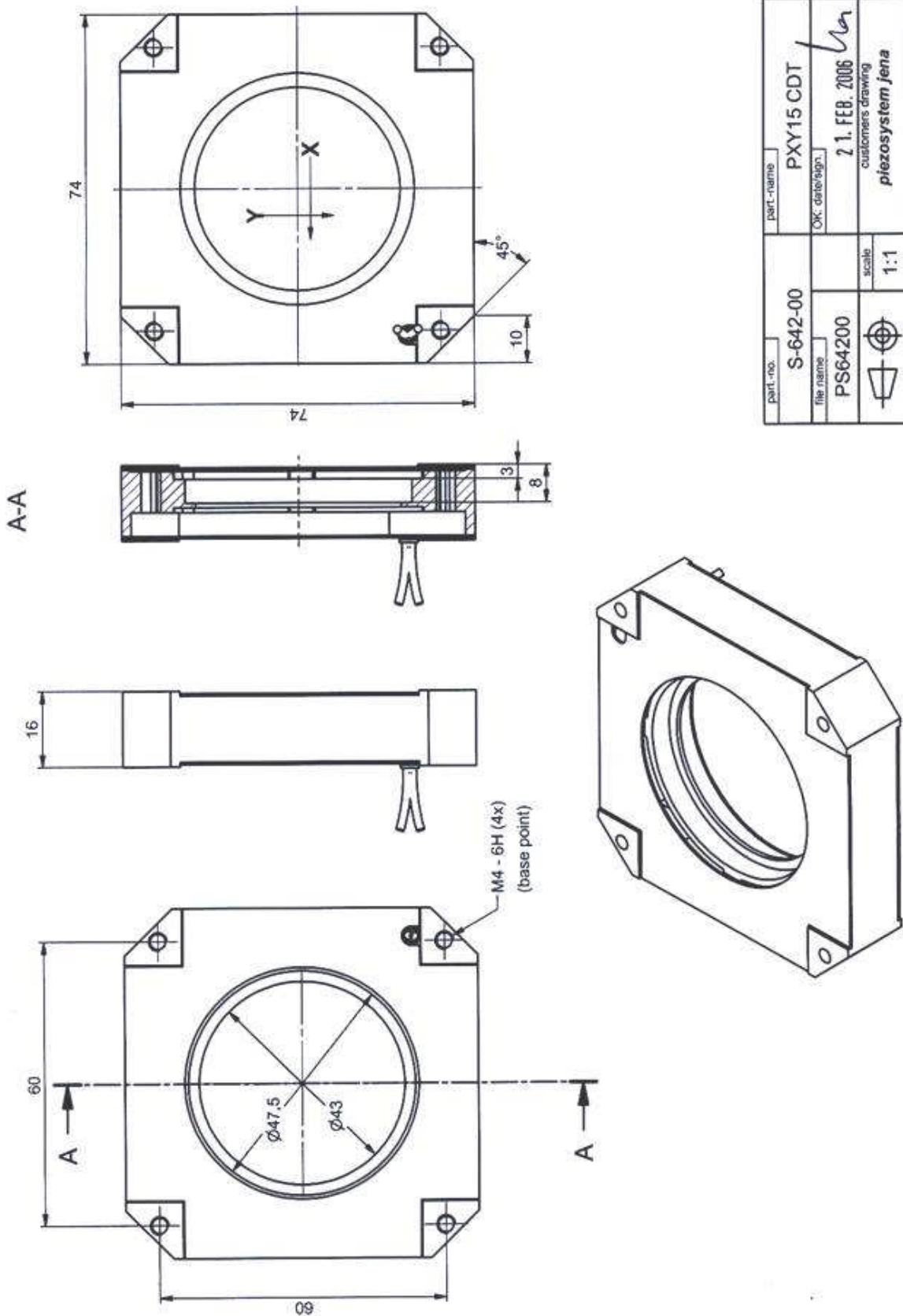
applications:

- ray- / beam deflection
- scanning systems with highest z-stiffness and resonant frequency

technical data:

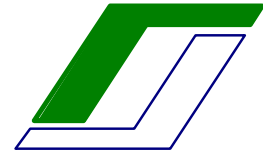
OEM systems art. no.:	unit	PXY 15 CDT S-642-00
motion(±10%)** in x and y direction	µm	15
operation voltage	V	-10 to +150
resolution*	nm	0,03
resonant frequency	x axis y axis	2,8 3
capacitance (±20%)* **	µF	0,8
cable length	cm	9
dimensions	length L width B height H	74 74 16
material	-	stainless steel
weight	g	211
response time****	τ (10-90%) τ (10-90%)	1,4 1,7

- * measured with E-103-18 amplifier
 ** typical value measured with -10V to 150V
 *** typical value for small electrical field strength
 **** measured with E-103-30 amplifier

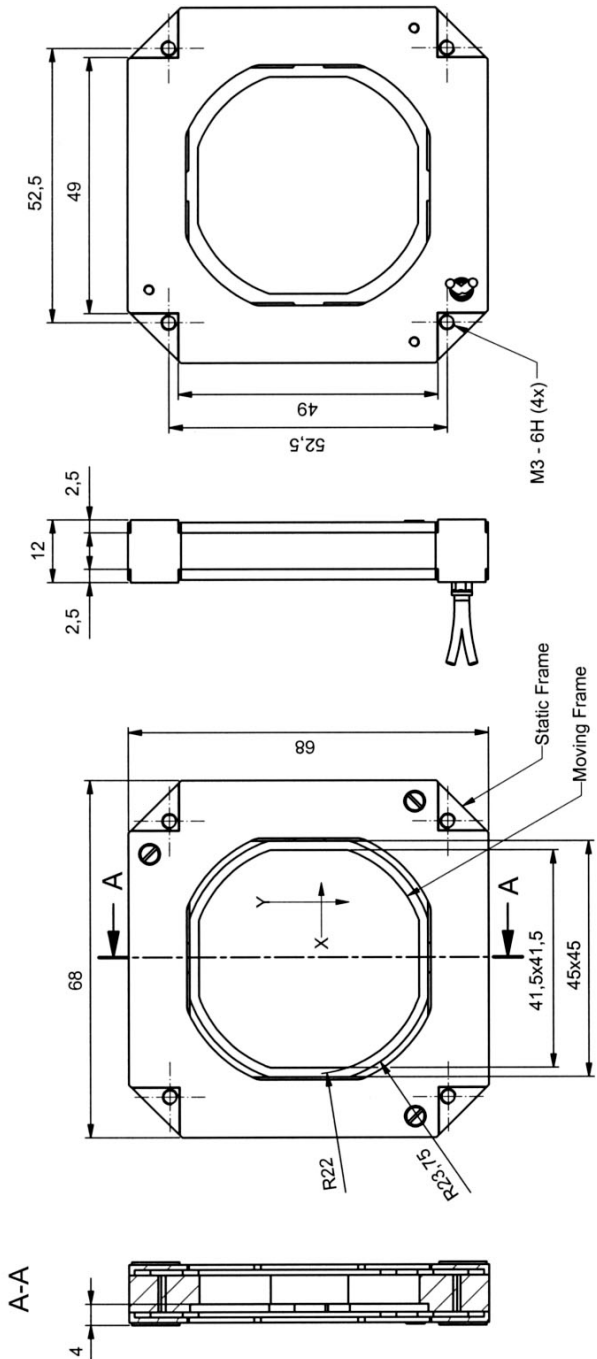


part no.	S-642-00	part-name	PXY15 CDT
file name	PS64200	OK: date/sign.	2.1. FEB. 2006 <i>ben</i>
		scale	1:1
		customers drawing	piezosystemjena

ORIGINAL

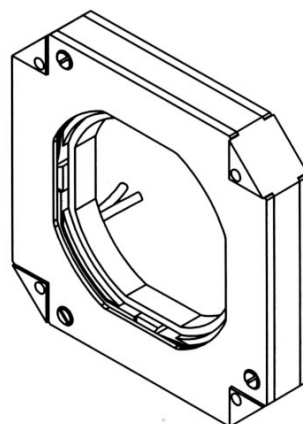


**COMPETENCE
IN PRECISION**



ORIGINAL

part-no.	part-name	scale
S-643-00	PXY15CDT V2	1:1
file name	OK: date/sign.	customers drawing
PS64300	Z.B. APR. 2005	piezosystem jena



L